



UNIVERSITY OF CAMBRIDGE INTERNATIONAL EXAMINATIONS
 General Certificate of Education
 Advanced Subsidiary Level and Advanced Level

CANDIDATE
NAME

--

CENTRE
NUMBER

--	--	--	--	--

CANDIDATE
NUMBER

--	--	--	--

PHYSICAL SCIENCE

8780/04

Paper 4 Advanced Practical Skills

For Examination from 2011

SPECIMEN PAPER

1 hour 30 minutes

Candidates answer on the Question Paper.

Additional Materials: As listed in the Confidential Instructions

READ THESE INSTRUCTIONS FIRST

Write your Centre number, candidate number and name on all work you hand in.

Give details of the practical session and laboratory where appropriate, in the boxes provided.

Write in dark blue or black pen.

You may use a pencil for any diagrams, graphs or rough working.

Do not use staples, paper clips, highlighters, glue or correction fluid.

Answer **both** questions.

You will be allowed to work with the apparatus for a maximum of 45 minutes for each question.

You are advised to show all working in calculations.

Use of Data Booklet is unnecessary.

At the end of the examination, fasten all your work securely together.

The number of marks is given in brackets [] at the end of each question or part question.

Session	
Laboratory	

For Examiner's Use	
1	
2	
Total	

This document consists of **8** printed pages and **2** blank pages.



- 1 In this experiment you will measure the potential difference across a resistor R_2 of resistance R_2 as the resistance of the circuit is varied.

For
Examiner's
Use

- (a) (i) Connect the circuit shown in Fig. 1.1 using one of the resistors in the chain.

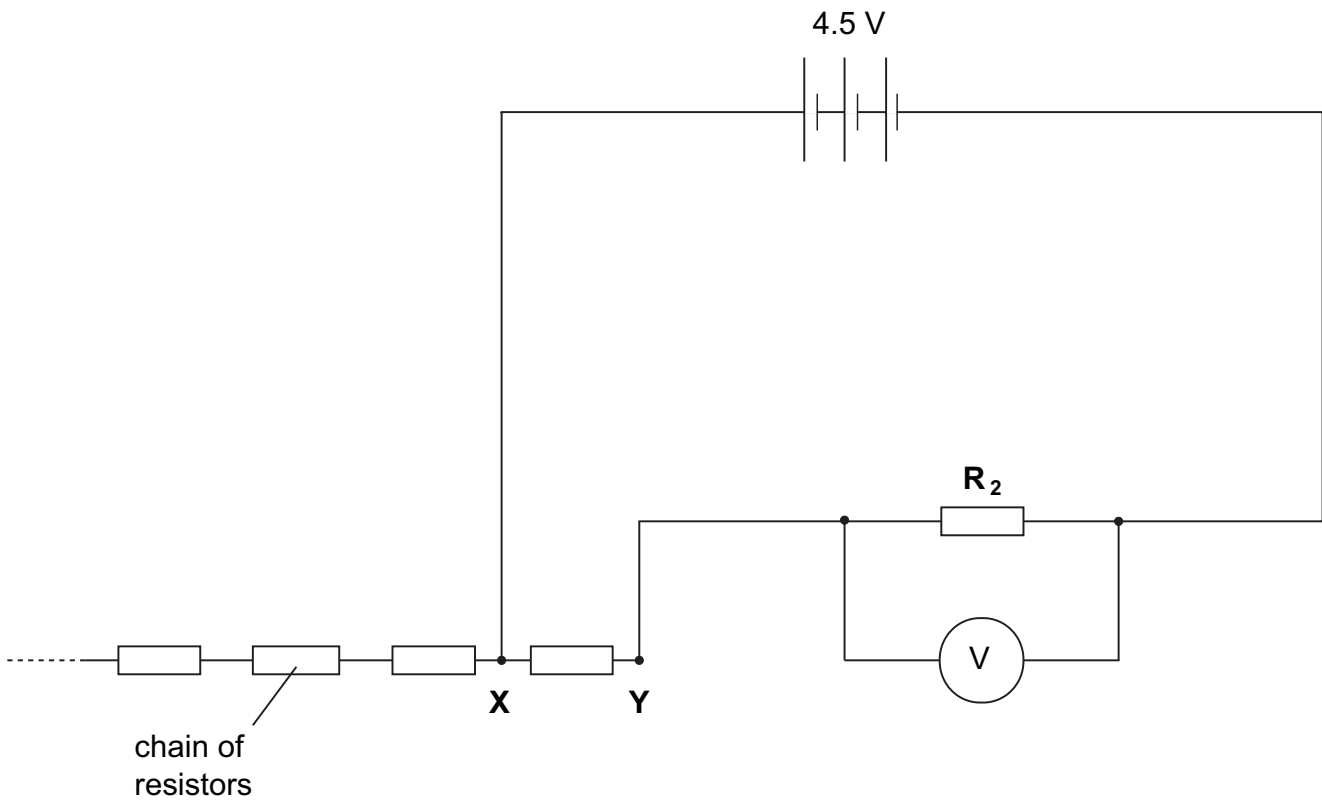


Fig. 1.1

- (ii) Record the value of the potential difference V across R_2 .

$V =$ [1]



- (b) Change the number n of resistors between **X** and **Y** and repeat (a)(ii) until you have **six** sets of readings for V and n . Include values of $1/V$ in your table of results. [6]

For
Examiner's
Use

- (c) (i) Plot a graph of $1/V$ (y -axis) against n (x -axis).
(ii) Draw the line of best fit.
(iii) Determine the gradient and the y -intercept of the graph.

gradient =

--

y -intercept =

--

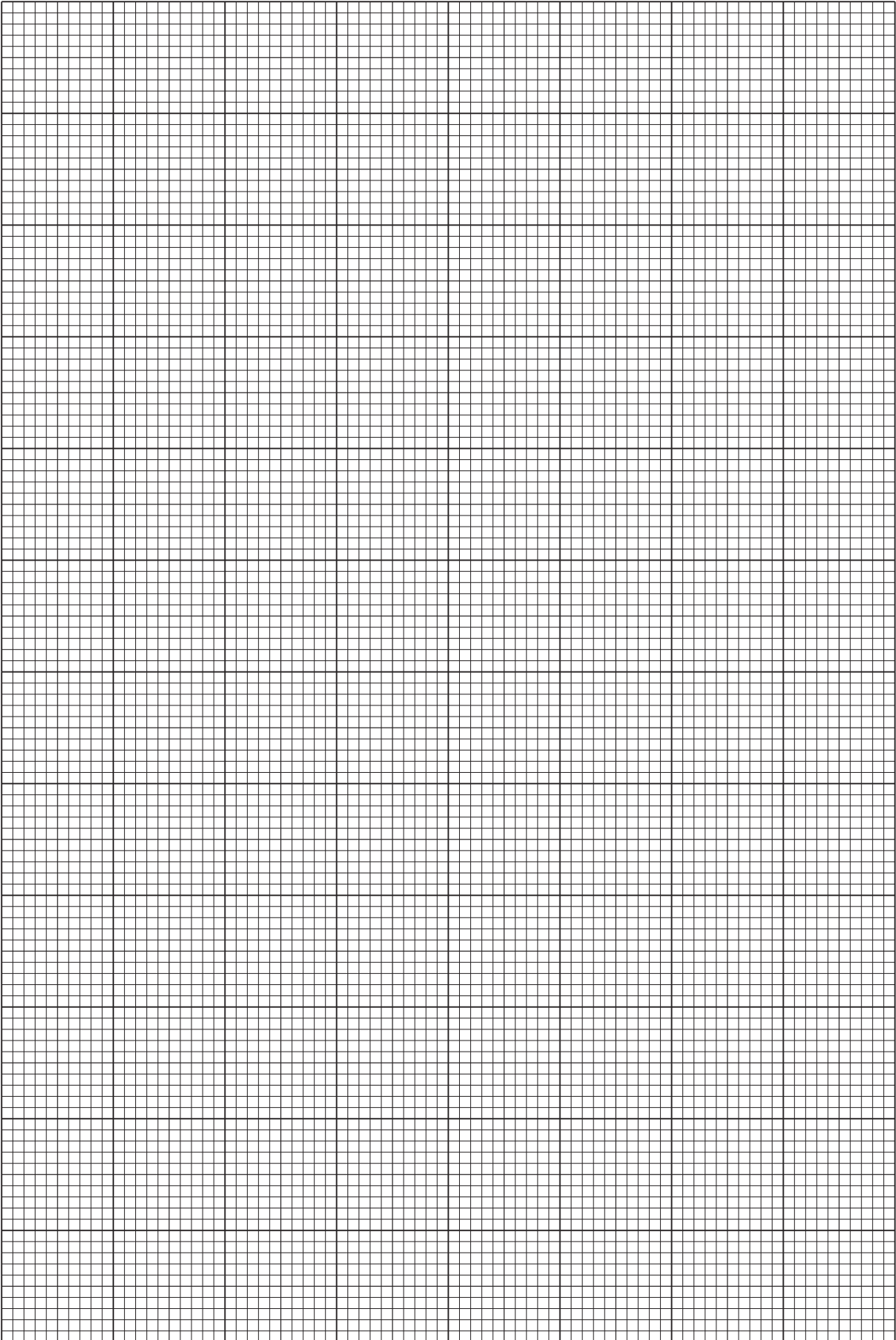
- (iv) Estimate the uncertainty in your value for the y -intercept.

uncertainty =

--

[6]

For
Examiner's
Use



(d) V and n are related by the equation

$$\frac{1}{V} = \frac{nR_1}{ER_2} + \frac{1}{E}$$

where R_1 is the resistance of each of the resistors in the chain and E is the e.m.f. of the battery.

Using your answer to (c)(iii), determine the value of E .

$E =$ [1]

(e) Identify **one** significant source of error or limitation of the procedure in this experiment.

.....

 [1]

[Total: 15]

For
Examiner's
Use



2 (a) **P** and **Q** are aqueous solutions.For
Examiner's
Use

Carry out the specified tests to enable you to identify the cations present in **P** and the cations present in a mixture of **P** and **Q**.

At each stage of any test you are to record details of the following:

- colour changes seen
- the formation of any precipitate
- the solubility of such precipitates in an excess of the reagent added.

You should indicate clearly at what stage in a test a change occurs.

No additional tests for ions present should be attempted.

- (i) To 1 cm depth of **P** in a boiling-tube, add an equal volume of **Q**. Mix thoroughly by gently shaking the tube.
- (ii) Using the supplied bench reagents you are to identify the cation present in **P**, and the cation present in the mixture of **P** and **Q**.

Record all of your observations in the table below.

<i>test</i>	<i>observations</i>	
	P	mixture of P and Q
To 1 cm depth of solution in a test-tube add, drop by drop, 1 cm depth of bench reagent aqueous sodium hydroxide. Stir the mixture, then add a further 1 cm depth of bench reagent aqueous sodium hydroxide.		
To 1 cm depth of solution in a test-tube add, drop by drop, 1 cm depth of bench reagent aqueous ammonia. Stir the mixture, then add a further 1 cm depth of bench reagent aqueous ammonia.		

(iii) **Conclusions**

The cation present in **P** is

The cation present in the mixture of **P** and **Q** is

When **P** and **Q** reacted together, **Q** was acting as

[5]

- (b) You are to carry out a titration to determine the concentration of ethanoic acid in solution **X**.

For
Examiner's
Use

You are provided with the following:

solution **X**, aqueous ethanoic acid, of unknown concentration
aqueous sodium hydroxide containing 3.40 g dm^{-3} NaOH
phenolphthalein indicator.

Dilution of X

- (i) Use a burette to measure between 38.00 cm^3 and 39.00 cm^3 of solution **X** into the 250 cm^3 volumetric flask labelled **Y**.
Record your burette readings and the volume of solution **X** added to the flask in the space below.

Make up the contents of the flask to the 250 cm^3 mark with distilled water. Place the stopper in the flask and mix the contents thoroughly by slowly inverting the flask a number of times.

Titration

- (ii) Fill a second burette with solution **Y**, the diluted solution of ethanoic acid.

Pipette 25.0 cm^3 of the 3.40 g dm^{-3} sodium hydroxide into the conical flask and add 2 to 3 drops of phenolphthalein indicator.

Titrate the sodium hydroxide in the flask with solution **Y** until the solution just turns colourless.

Perform a rough (trial) titration and sufficient further titrations to obtain accurate results.

Record your titration results in the space below. Make certain that your recorded results show the precision of your working.

- (iii) From your titration results obtain a volume of solution **Y** to be used in your calculations.
Show clearly how you obtained this volume.

volume of **Y** = cm³
[6]

For
Examiner's
Use

Calculations

Show your working and appropriate significant figures in all of your calculations.

- (iv) The aqueous sodium hydroxide contains 3.40 g dm⁻³ NaOH.

Calculate how many moles of NaOH have been pipetted into the conical flask in (b)(ii).

[A_r: H, 1.0; O, 16.0; Na, 23.0]

amount of NaOH = mol

- (v) Ethanoic acid is a monoprotic (monobasic) acid.

Use your titre volume in (b)(iii) and the answer to (iv) above to calculate how many moles of ethanoic acid are contained in 250 cm³ of solution **Y**.

amount of ethanoic acid in 250 cm³ of **Y** = mol

- (vi) Use your answer to (v) to calculate the concentration, in mol dm⁻³, of the undiluted ethanoic acid in solution **X**.

concentration of ethanoic acid in **X** = mol dm⁻³
[4]

[Total: 15]

BLANK PAGE

Permission to reproduce items where third-party owned material protected by copyright is included has been sought and cleared where possible. Every reasonable effort has been made by the publisher (UCLES) to trace copyright holders, but if any items requiring clearance have unwittingly been included, the publisher will be pleased to make amends at the earliest possible opportunity.

University of Cambridge International Examinations is part of the Cambridge Assessment Group. Cambridge Assessment is the brand name of University of Cambridge Local Examinations Syndicate (UCLES), which is itself a department of the University of Cambridge.