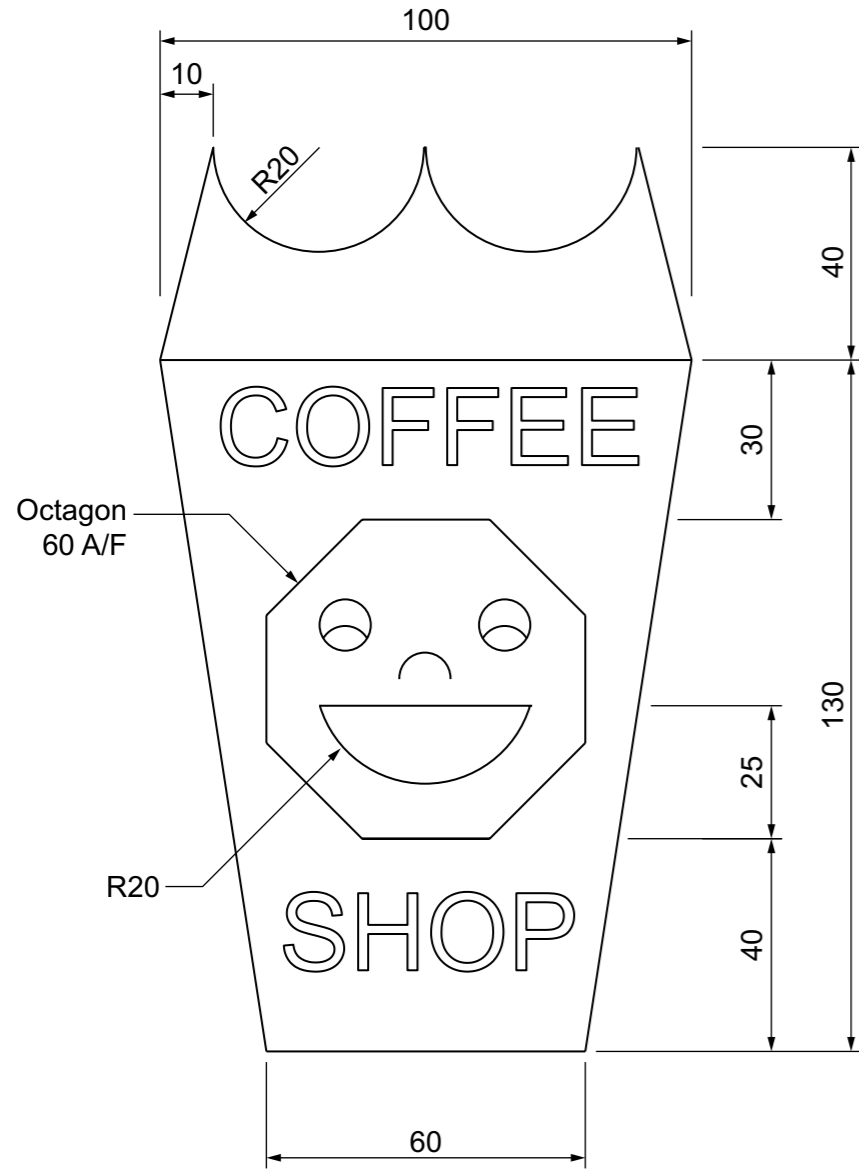


**Section A**

Answer **all** questions in this section.

The logo design for a new coffee shop is shown below.



1 Complete the full size view of the logo in the space provided to the right by drawing:

(a) the cup and crown outline [3]

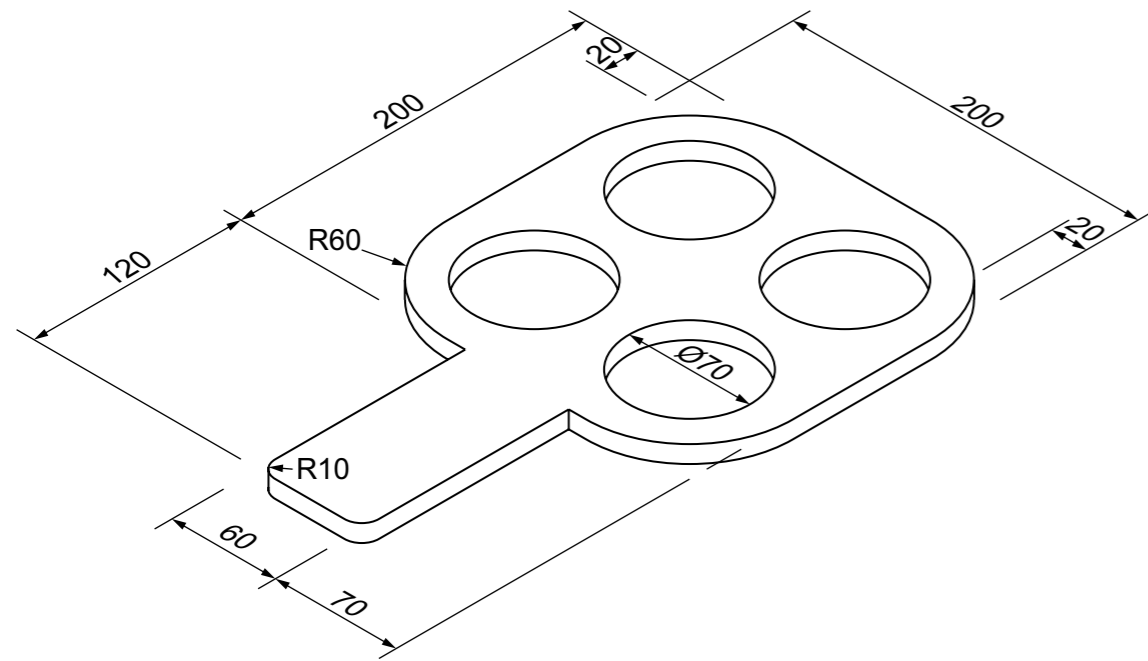
(b) the face on the cup. [5]

2 The logo is to be printed on the front page of a menu.  
The page measures 210 × 140.  
The logo is positioned in the centre of the page.  
Draw the outline of the page around the logo. [3]

For examiner's use

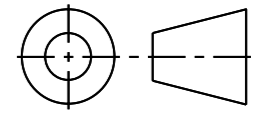
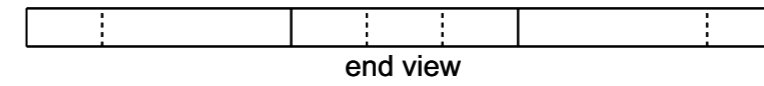
3 A holder for carrying four cups of coffee is shown below.

The holder is made from 10mm thick softwood.



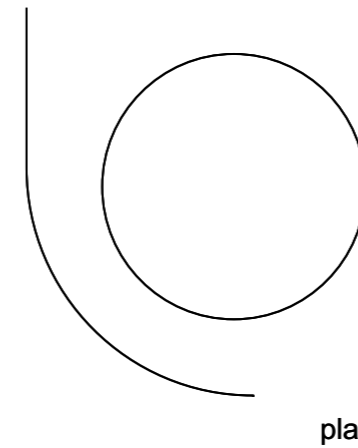
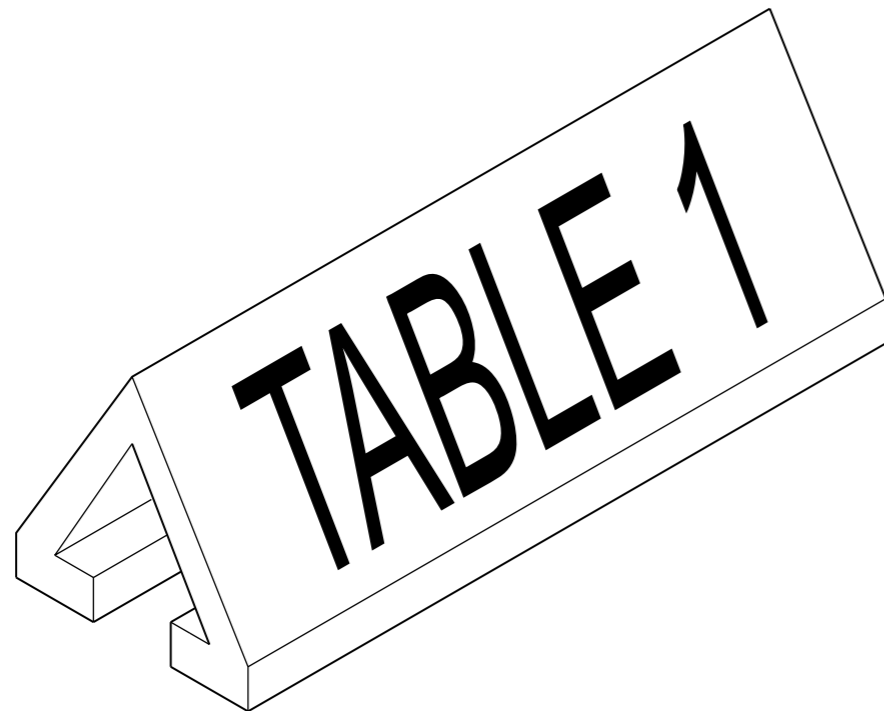
(a) Complete the orthographic views of the holder to a scale of 1:2.

[10]



(b) A table sign from the coffee shop is shown below.  
Use thick and thin line technique on the table sign.

[4]

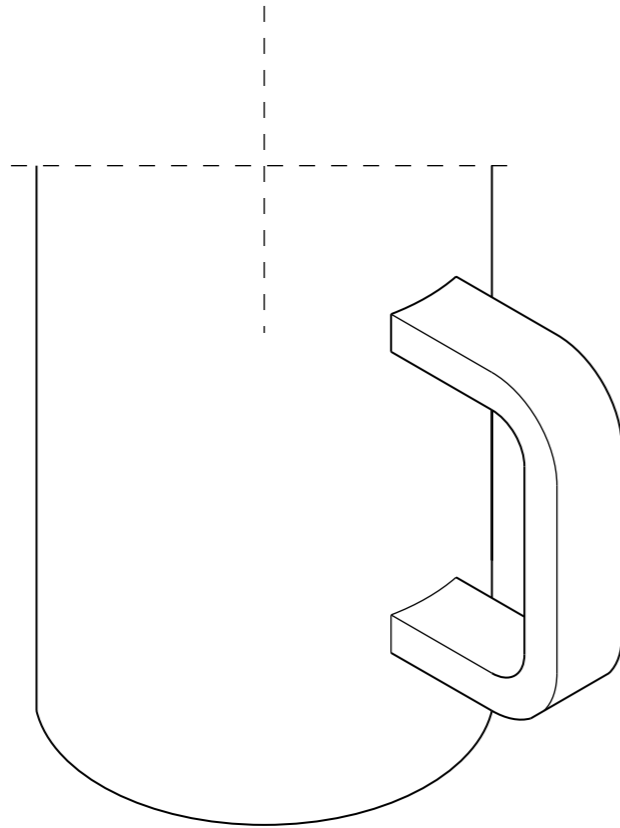


**Section B**

Answer **one** question, **either** question 4 **or** 5, from this section.

4 A coffee mug is shown below.

(a) Complete the drawing of the mug by constructing the elliptical shape of the top edge. [7]



(b) (i) Identify **two** pieces of anthropometric information the designer would use when deciding on the size and shape of the mug handle.

- 1 .....
- 2 .....

[2]

(ii) Explain how the **two** pieces of anthropometric information would be used in the design of the mug handle.

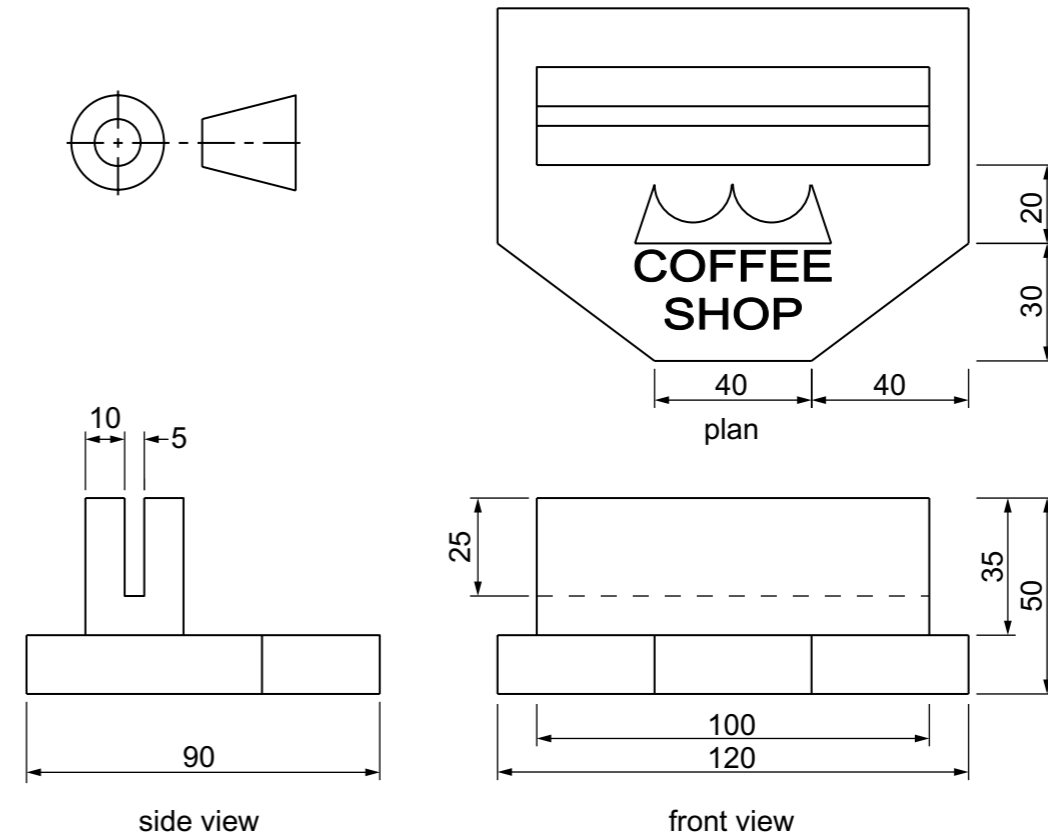
- 1 .....
- 2 .....

[2]

(c) An image is to be printed onto the mug using thermochromic ink. Describe how using thermochromic ink will affect the image.

- .....
- ..... [2]

(d) Orthographic views of a menu holder from the coffee shop are shown below.

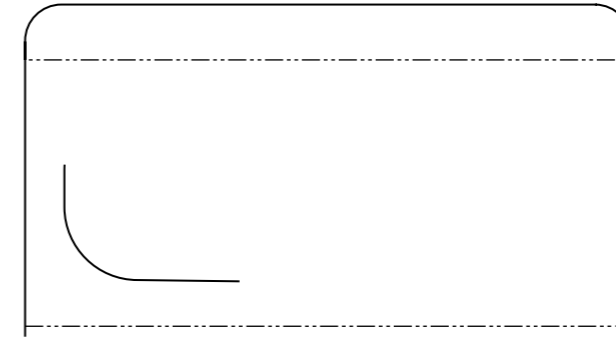
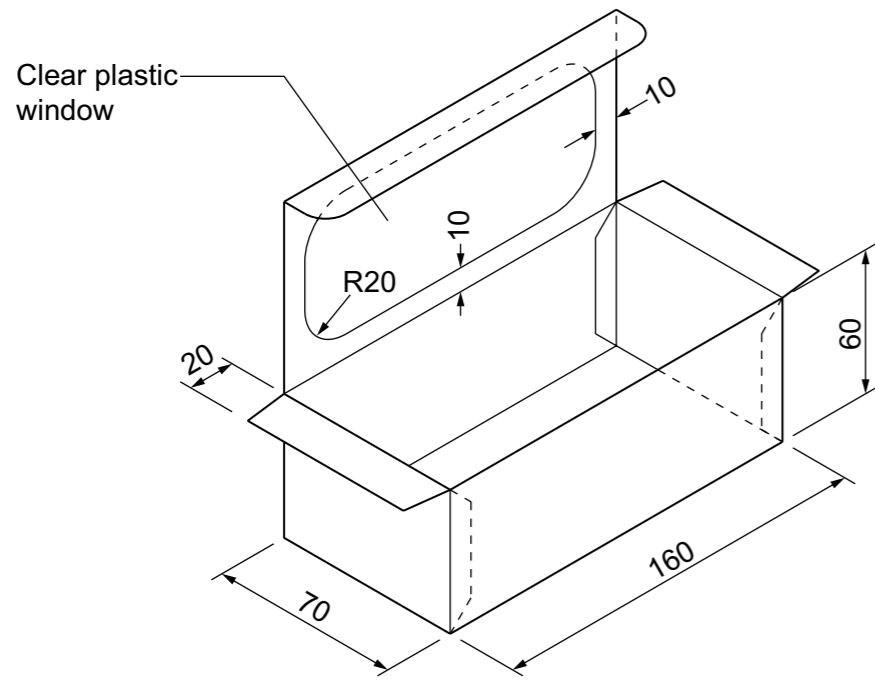


Complete the full scale isometric view of the menu holder.

[12]



5 A package for biscuits is shown below.



(a) Complete the scale 1:2 development (net) of the package for biscuits by drawing:

- (i) the remaining surfaces and glue tabs for the development (net) [10]
- (ii) the clear plastic window on the lid of the package. [4]

(b) The cardboard developments (nets) are to be produced in different quantities. Complete the table below by giving a suitable tool/item of equipment for cutting out the developments (nets) in the quantities given.

Quantities	Tool/Item of equipment
1	
40	
8000	

[3]

(c) The recycling symbol shown below is to be printed onto the package. State **two** reasons why symbols are used on packaging instead of written text.



- 1 .....
- 2 .....

[2]

(d) The results of a questionnaire on people's favourite biscuit flavour are shown below.

Biscuit	Chocolate	Custard	Jam	Ginger
Number	425	150	275	300

In the space below draw a bar chart to show the results of the questionnaire. Use labels and colour to enhance the appearance of the chart.

[6]